

access! Splitter[®]



CUBE[®]
TECHNOLOGIES

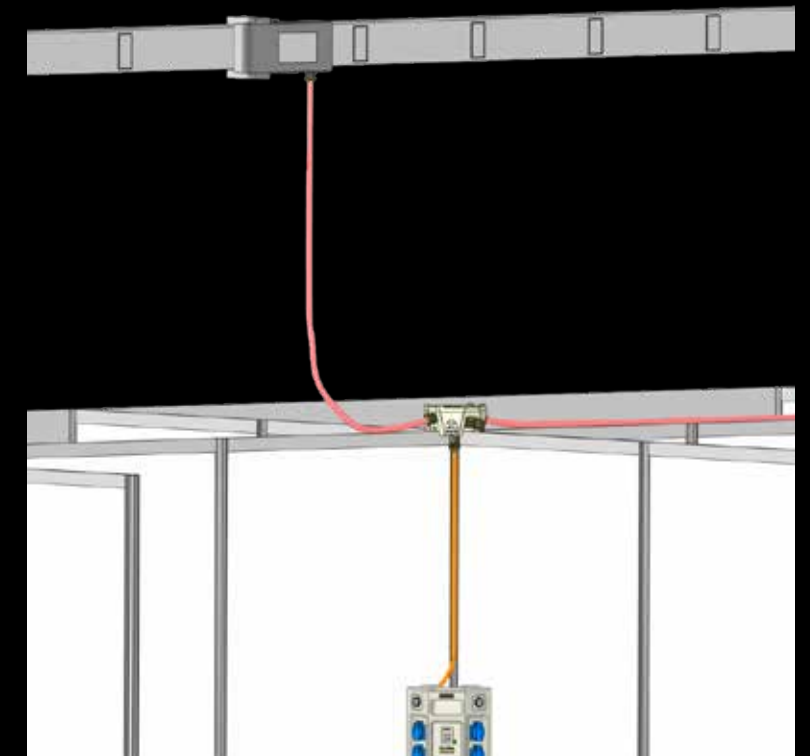


ACCESS Splitter, the power supply distribution box

The Access Splitter is a 32A three-phase distribution box that can be used to connect up to 6 single-phase distributors.

The ACCESS splitter is the fitted accessory to reduce the wiring time considerably when connected to electronically controlled COMPACT distributors with limited voltage/power supply.

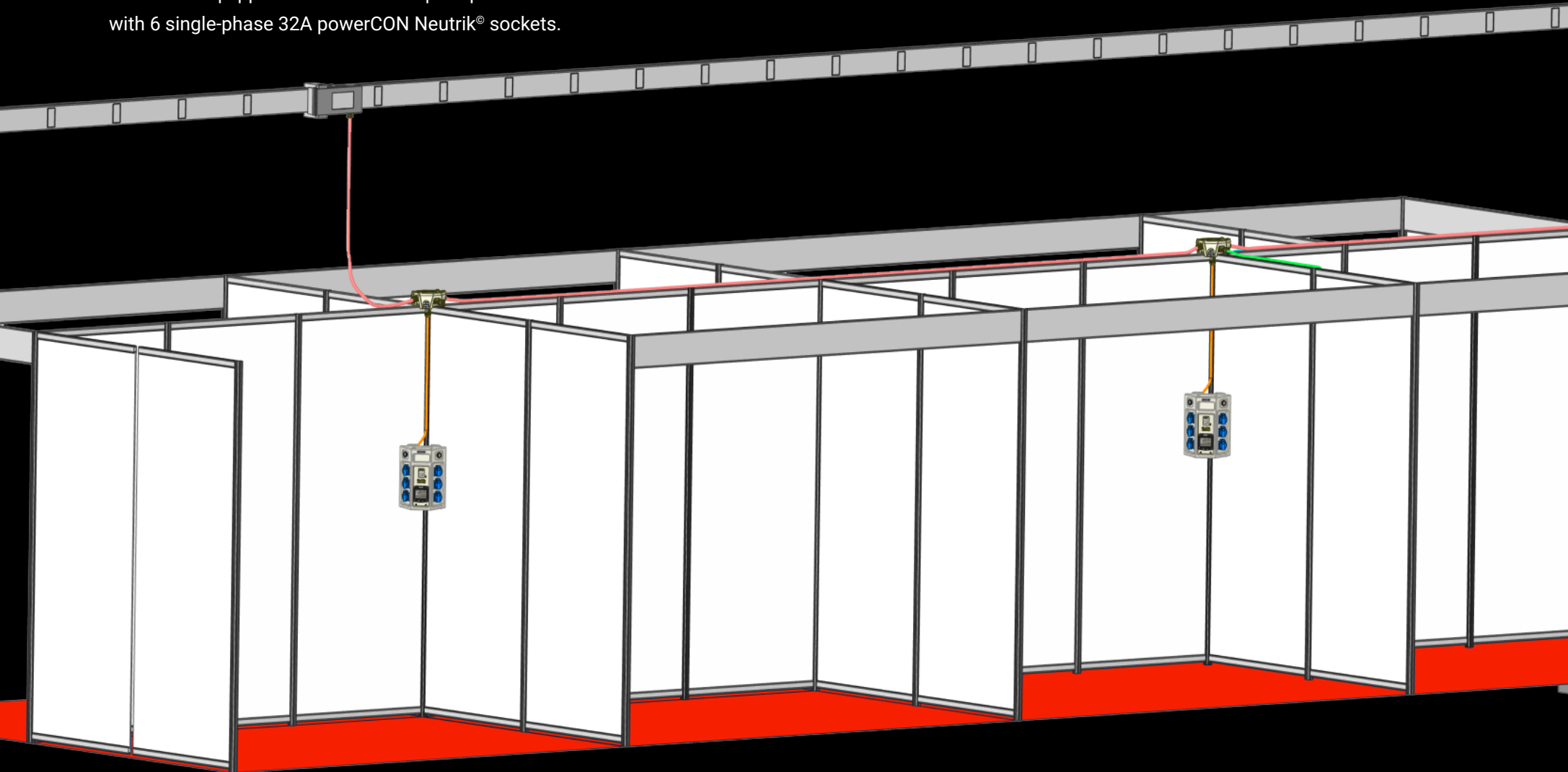
The ACCESS splitter is integrated in the ACCESS TECH App to make phase balancing easier for the technicians. The QR code or NFC tag enables to assignee the splitter to the distributors to which it is connected by a simple click.



Simplified electrical supply, guaranteed time savings

The ACCESS Splitter 2x6 is a 32A cabling interface that has an IN / OUT cable gland.

The box is equipped with 3P + N + T quick push-in connection terminals for 5G6 cables and with 6 single-phase 32A powerCON Neutrik® sockets.



Thanks to the electronic power limitation of the COMPACT terminals, a single power supply connection can efficiently connect up to 18 power distributors, depending on the programmed power and the number of chained splitters:

1 ACCESS splitter

= 3 COMPACT Terminals, limited to 6kW

or

1 ACCESS splitter

= 6 COMPACT Terminals, limited to 3kW

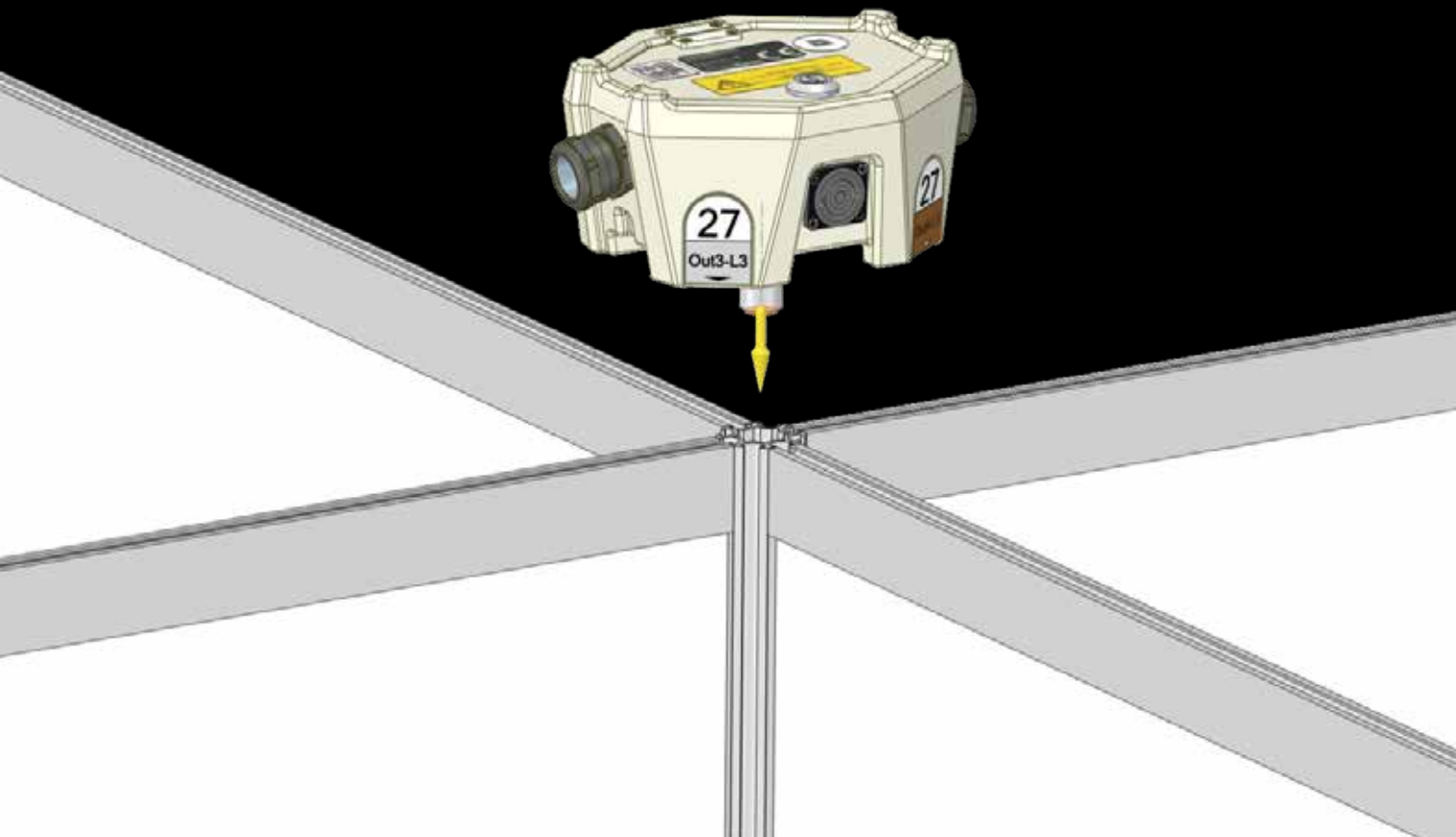
or

3 chained ACCESS splitters

= 18 COMPACT Terminals, limited to 1kW

All intermediate combinations are of course possible.
The power supply cables are protected and secured
in a hatch locked with a special key.





Ideally, the ACCESS Splitter is directly set in the aluminum profile construction system stand.

Available in two versions:

20 mm for OCTANORM profiles

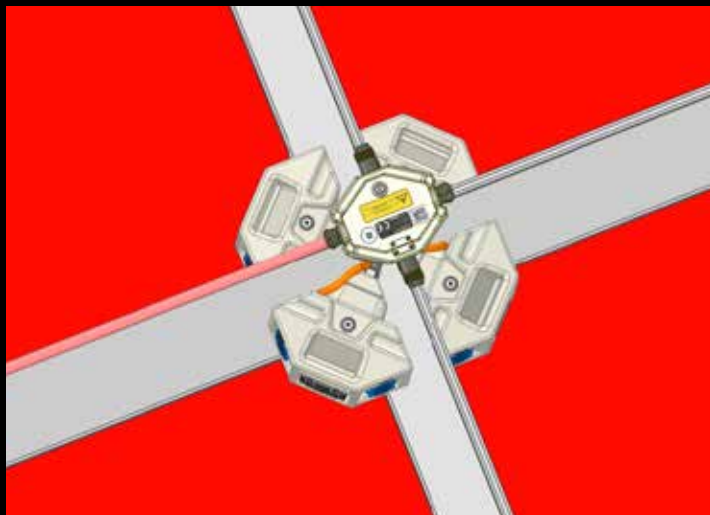
25 mm for SODEM profiles.

ACCESS Splitter is suitable for any type of electrical distribution architecture

Upside down, the ACCESS Splitter can also be used in a cable duct.



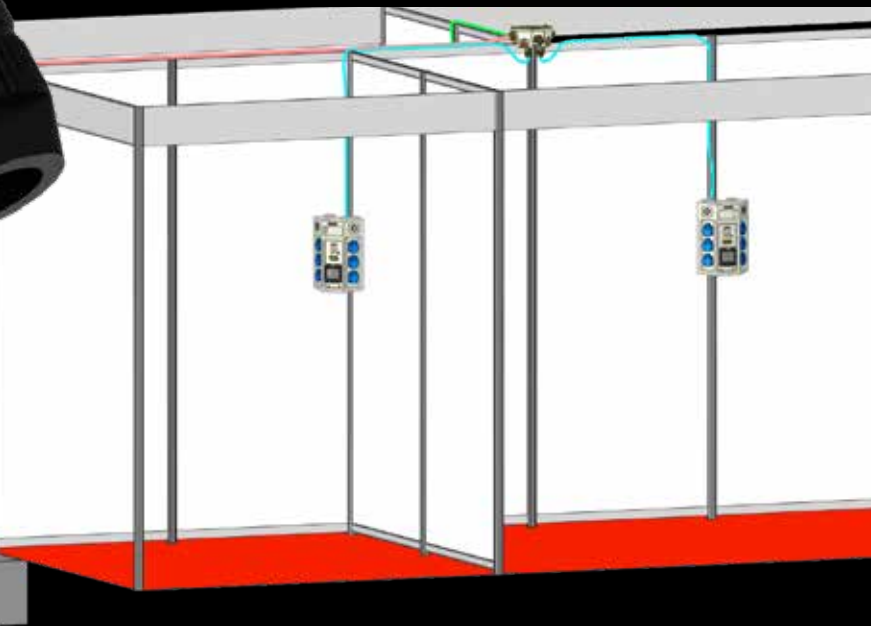
**Perfect setting of the electrical distribution,
suitable for all situations**



Four vertical outputs allow the connection of four terminals on four stands, with maximum efficiency and discretion.



The two side outlets make it possible to supply distributors further away with a simple cable extension embedded on the upper rails.



Technical features

Dimensions

Total length: 25.5cm x width: 17.5cm x height: 10cm (without central bolt).

Weight

<1kg.

Shell

Rotomoulded monoblock, microblasted and flamed in polyethylene (PE), 100% recyclable.

Identification in the ACCESS TECH App

Integrated NFC tag and QR code.

Splitter identification

Labels on the four corners with the splitter number, recognizable from the stand.

Phase identification

Stickers on the four corners and on the side sockets with identification of the output number and phase number.

Electric features

I max

32A.

Power supply

32A three-phase.

Cable glands

M32 for 5G6 14mm-25mm cables.

Three-phase input / output connection

Phoenix Contact Push-in® PTV6 spring-loaded terminals with on / off button.

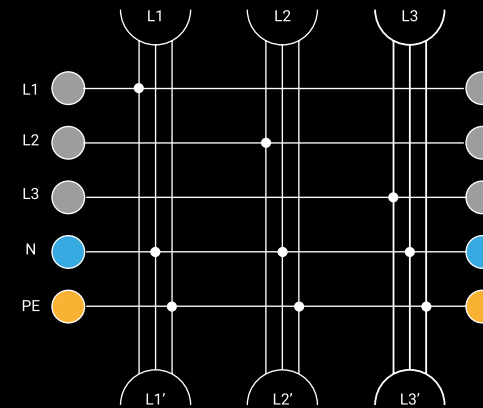
Single phase output connection

powerCON NEUTRIK® 32A locking sockets.

Number of single-phase outputs

$6 = 2 \times L1 + 2 \times L2 + 2 \times L3$.

Phoenix Contact®
push-in quick connect /
disconnect buttons



L1 / L2 / L3 / N / T
terminals for 5G6 cables
max.32A

IN / OUT
M32 cable gland
for 14mm to 25mm
cables.



6 single-phase outputs
(2 per phase) on 32A
powerCON NEUTRIK®
locking sockets.



CUBE[®]
TECHNOLOGIES